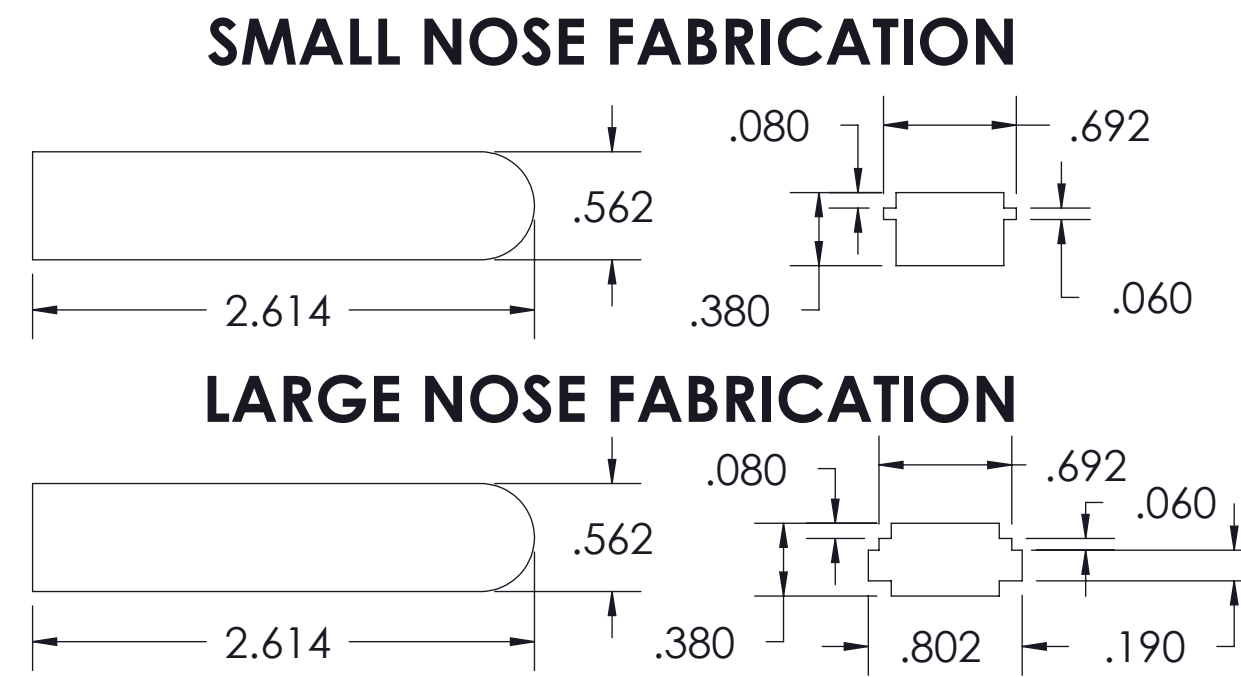
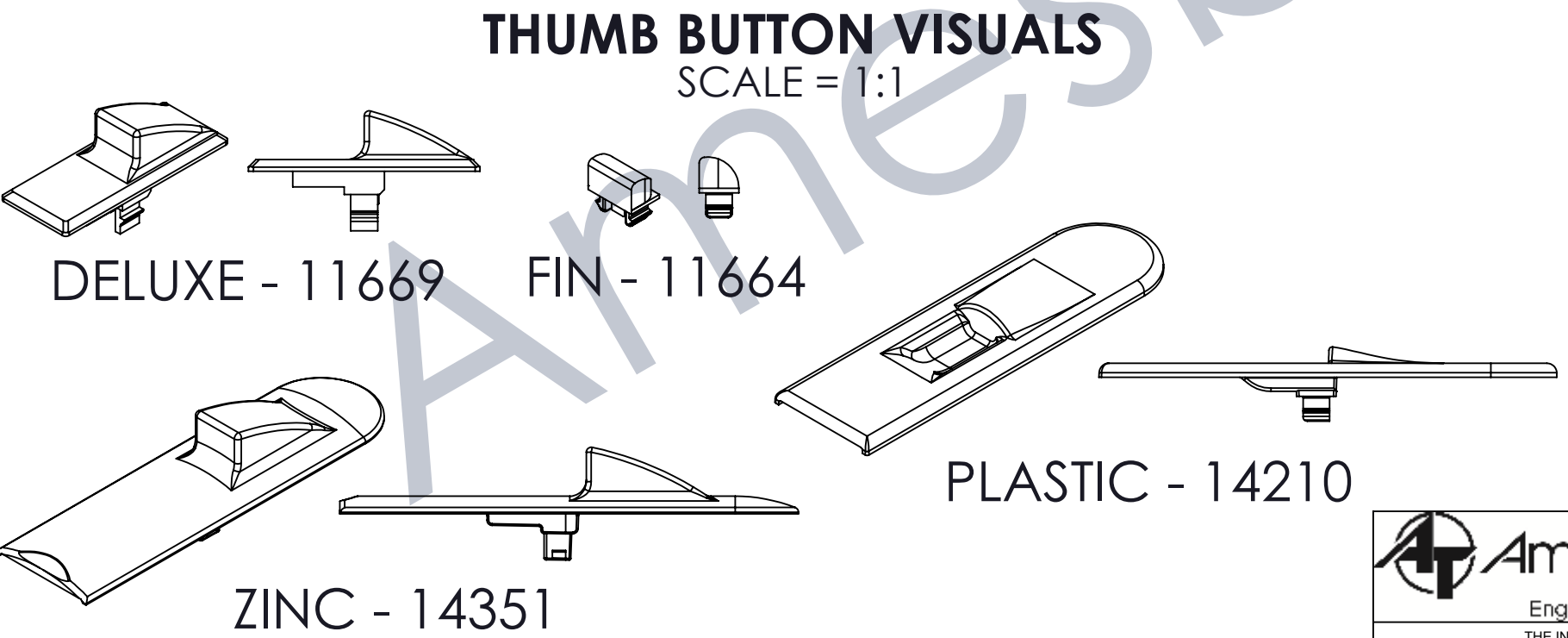
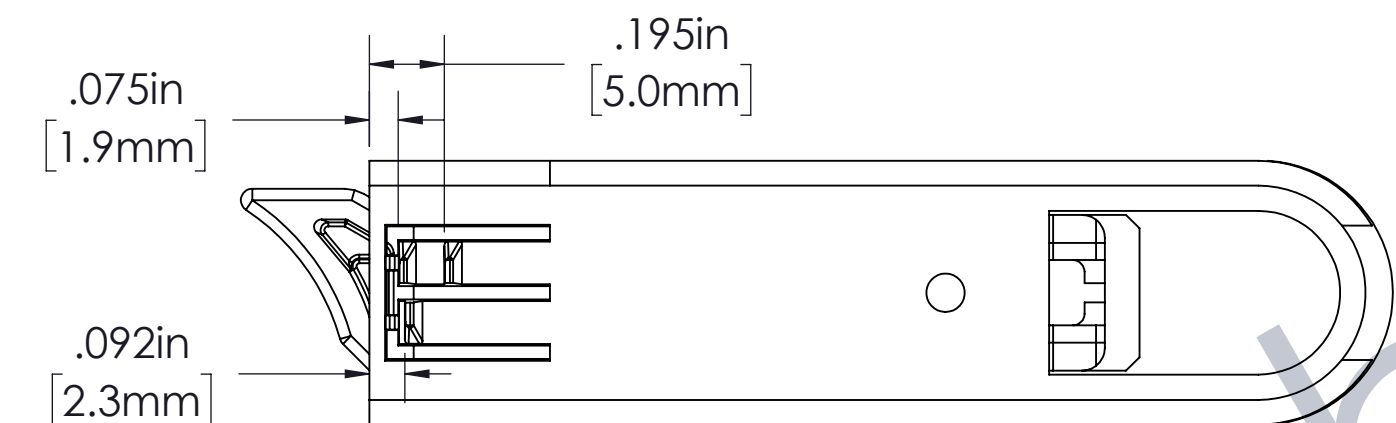


LH PART NO	RH PART NO	DIM A	DIM B	DIM C	THUMB BUTTON	NOSE
SDL-P27F	SDR-P27F	.273	.335	.121	FIN	SMALL
SDL-P27Z	SDR-P27Z	.273	.335	.193	PLASTIC - 14210	SMALL
SDL-X28F	SDR-X28F	.273	.401	.121	FIN	SMALL
SDL-P37F	SDR-P37F	.373	.430	.121	FIN	LARGE
SDL-P37Z	SDR-P37Z	.373	.430	.193	PLASTIC - 14210	LARGE
SDL-P37J	SDR-P37J	.373	.430	.410	DELUXE	LARGE
SDL-P37Y	SDR-P37Y	.373	.430	.427	ZINC - 14351	LARGE



CUSTOMER PAGE

<p>Amesbury Truth Engineered Solutions. Trusted Results.</p>	INTERPRET PER: ASME Y14.5M-2009 UNITS: INCH	DRAWING TITLE: FLEX-FIT_RADIUS BODY_SCALLOP NOSE
	THIRD ANGLE PROJECTION	SCALE: 2:1 DRAWING #:

THE INFORMATION CONTAINED IN THIS DRAWING IS CONFIDENTIAL AND PROPRIETARY. THIS DRAWING IS NOT TO BE COPIED OR REPRODUCED IN WHOLE OR IN PART WITHOUT EXPRESS WRITTEN PERMISSION.